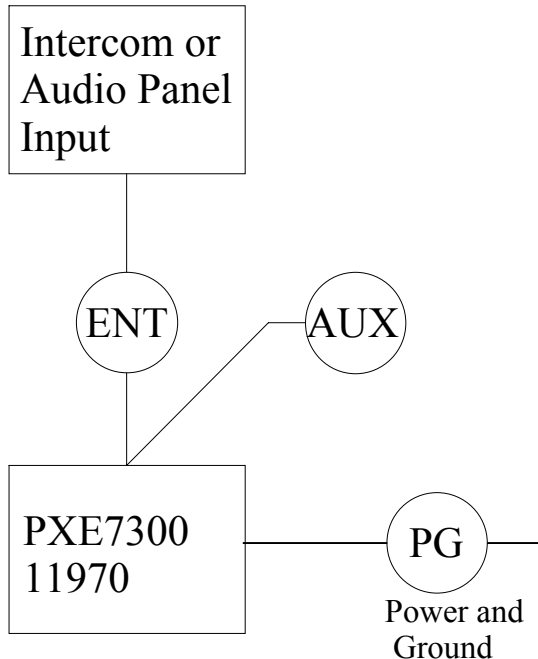


PXE7300 (P/N 11970)
HARNESS ORDER SHEET

HARNESS IS NON CANCELLABLE AND NON RETURNABLE

NAME: _____ DATE: _____
 ADDRESS: _____ PHONE: _____
 _____ Ship Method: _____
 City: _____ State: _____
 Zip/Post Code: _____
 Visa/MC#: _____ Expiration: _____
 Aircraft Make & Model: _____

Designation	Location	Length (feet)	Excess Length
ENT	PXE7300 to Music Input of Intercom or audio panel		Additional cost if over 8 ft.
E2	PXE7300 auxiliary input (optional)		Additional cost
PG	Power and Ground		Additional cost if over 4 ft.



Harness Part Number
15730 AM/FM MP3 Player Only
Notes:
 Each harness is professionally manufactured using Mil-Spec, Tefzel shielded cable, and is clearly marked for easy identification using heat shrink labeling.
 Turn-around time is 2-business days from receipt of completed worksheet, or shipping is free.

Special Instructions: _____

CALL or FAX FOR PRICING: _____

DOC: 15730-090704