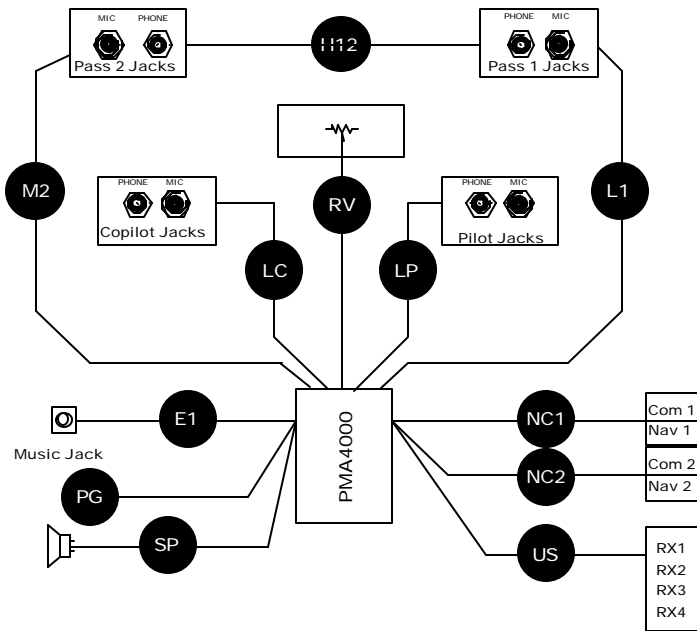


PMA4000 HARNESS ORDER SHEET

HARNESS IS NON CANCELLABLE AND NON RETURNABLE

NAME: _____ DATE: _____
 ADDRESS: _____ PHONE: _____
 _____ Ship Method: _____
 City: _____ State: _____
 Zip/Post Code: _____
 Visa/MC#: _____ Expiration: _____
 Aircraft Make & Model: _____

Designation	Location	Base Price	Length (feet)	Price per foot	Total = Base + (per foot x length)
E1	PMA4000 to Music Jack	\$ 6.00		\$ 1.15	
LP	PMA4000 to Pilot Jacks	\$14.00		\$ 2.75	
LC	PMA4000 to Copilot Jacks	\$14.00		\$ 2.75	
L1 (if more than 2-place)	PMA4000 to Passenger 1 Jacks	\$14.00		\$ 2.75	
H12 (if more than 2-place)	Passenger 1 Phones to Passenger 2 Phones	\$ 6.00		\$ 1.15	
M2 (if more than 2-place)	PMA4000 to Passenger 2 Mic	\$6.00		\$ 1.15	
RV(optional)	PMA4000 to remote Volume/Expansion unit	\$9.50		\$ 1.50	
NC1	PMA4000 to Nav/Com 1				
	Com 1 Phones & Microphone	\$14.00		\$ 2.75	
	Nav 1 (if present)	\$6.00		\$ 1.15	
NC2	PMA4000 to Nav/Com 2				
	Com 2 Phones & Microphone	\$14.00		\$ 2.75	
	Nav 2 (if present)	\$6.00		\$ 1.15	
US	PMA4000 to unswitched receivers	# Rx			
	Specify number of unswitched receivers, up to 4. Multiply \$5.00 by number of receivers, NOT length, if length is same as the as navcoms	\$7.00		\$1.00 per foot, per receiver)	
	Multiply by number of receivers (ADF, DME, etc)	\$ 6.00		\$ 1.15	
Music Mute (not shown)	Karaoke Mode, single wire to switch (not incl.)	\$ 3.00		\$ 0.20	
SP	Speaker (if desired)	\$6.00		\$ 1.15	
PG	Power and Ground	\$ 7.00		\$ 0.20	
	Headset and Mic jacks added to the harness	\$8.75		# of sets	
				Base Price	\$125.00



Notes:
 Each harness is professionally manufactured using MilSpec, Tefzel shielded cable, and is clearly marked for easy identification using heat shrink labeling. Typical turn-around time is 2-business days from receipt of completed worksheet

Jacks are not included. Please add \$8.75 per set of mic and headphone jacks.

Special Instructions: _____

Harness pricing can be found at:
www.ps-engineering.com/pricing.shtml